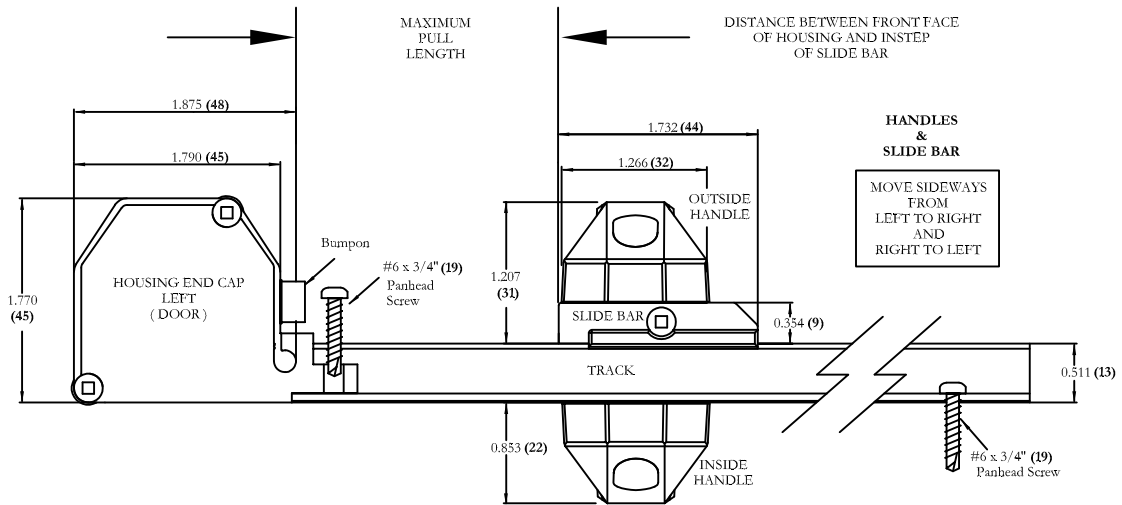


# Retractable Door Design Specifications

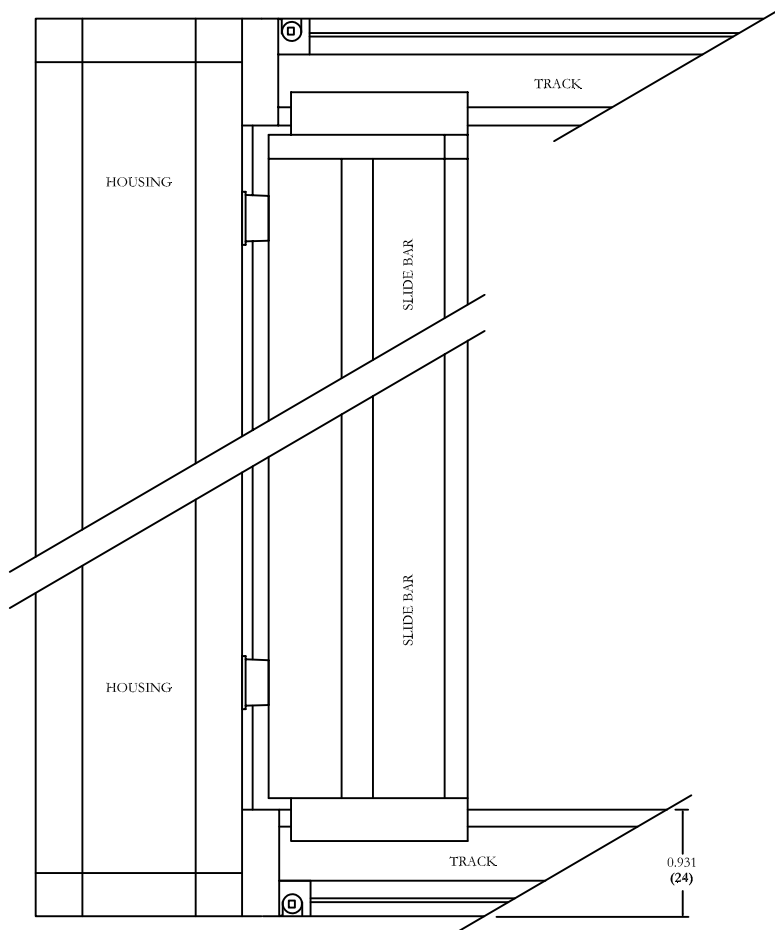
## c/w Magnet Latch System

### Detail Views

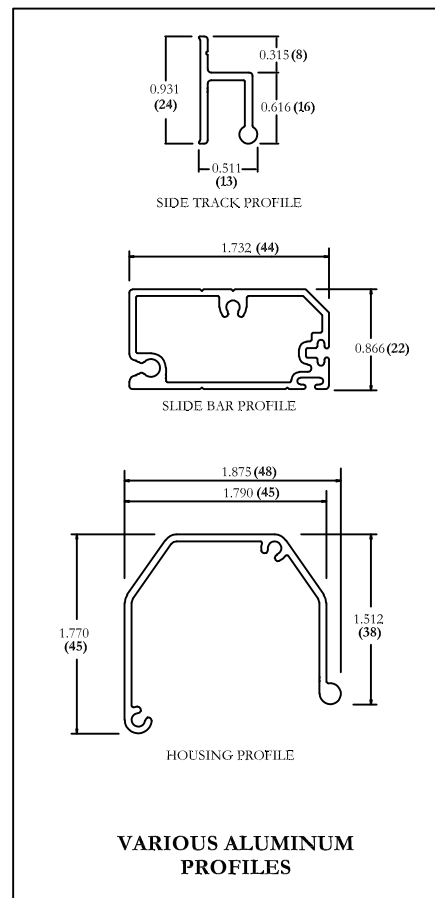
All Dimensions Are Shown In Inches Millimeters In Brackets



**BOTTOM VIEW**



**FRONT VIEW**



Creator: NDR	Date: 01/24/12	Revision: Rev: 01
Drawing Title: <b>PSPRODDDESIGNSPEC02</b>		
© 2012 Phantom Mfg. Intl Ltd.		Scale: N.T.S.

1. Revised title name	02/26/18
Description of Revision	