

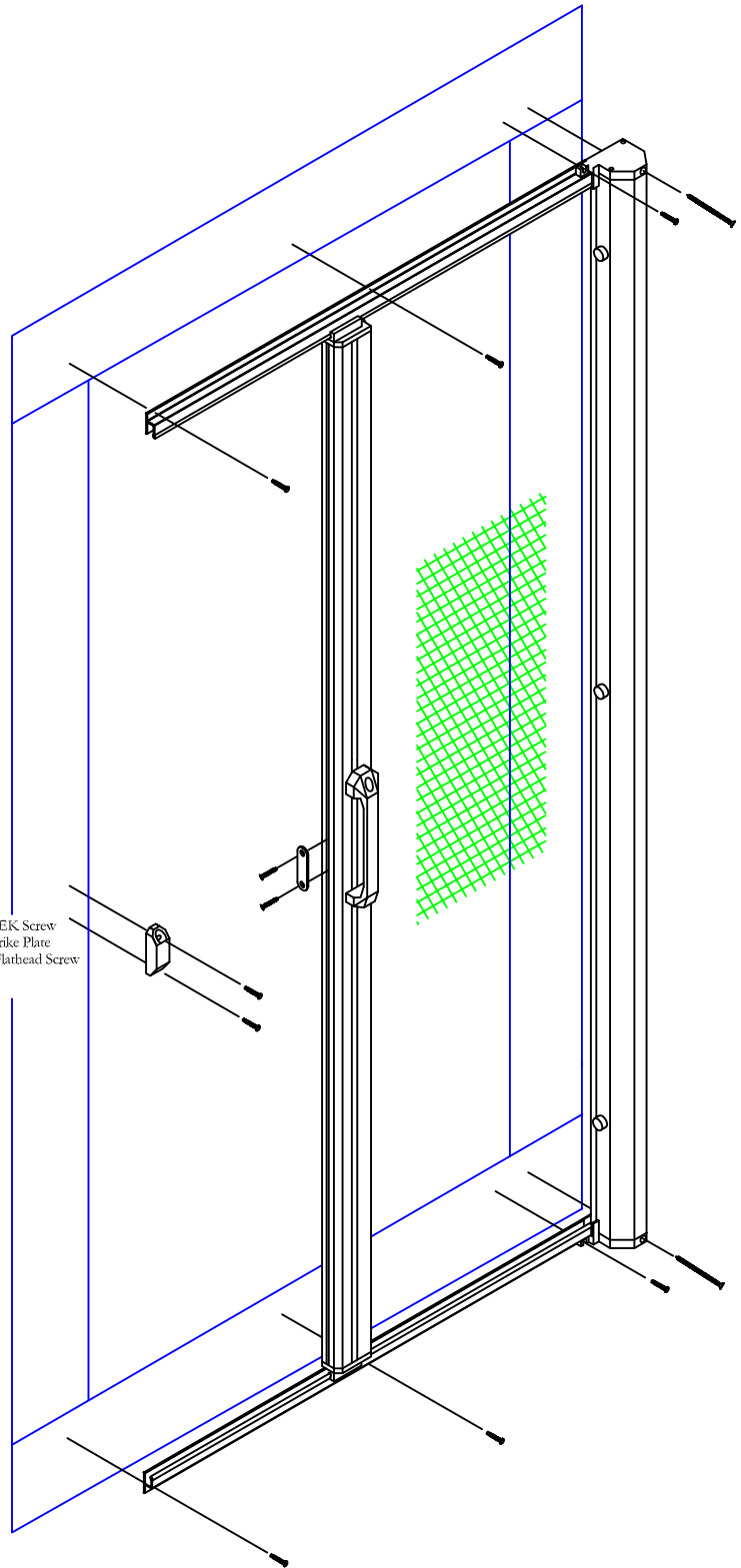
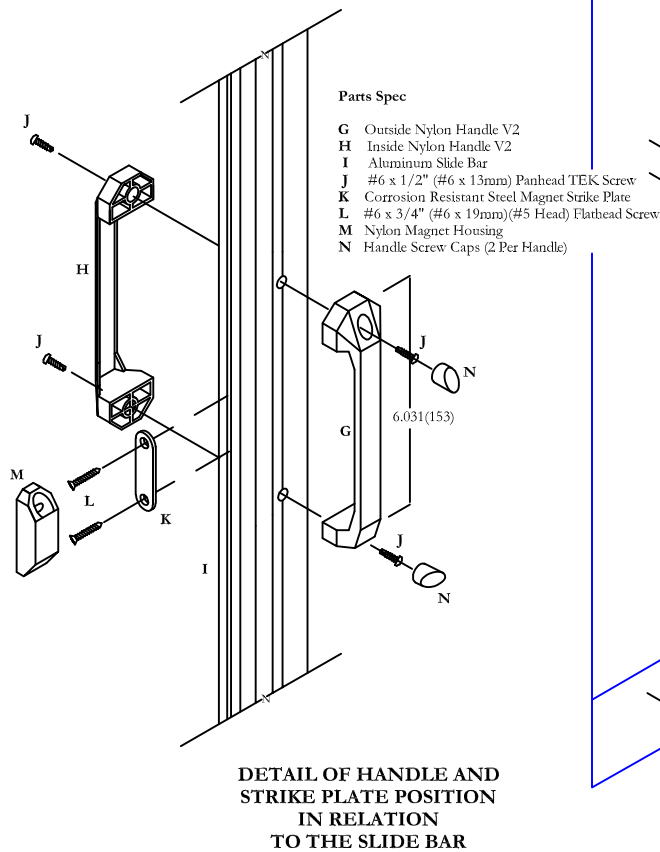
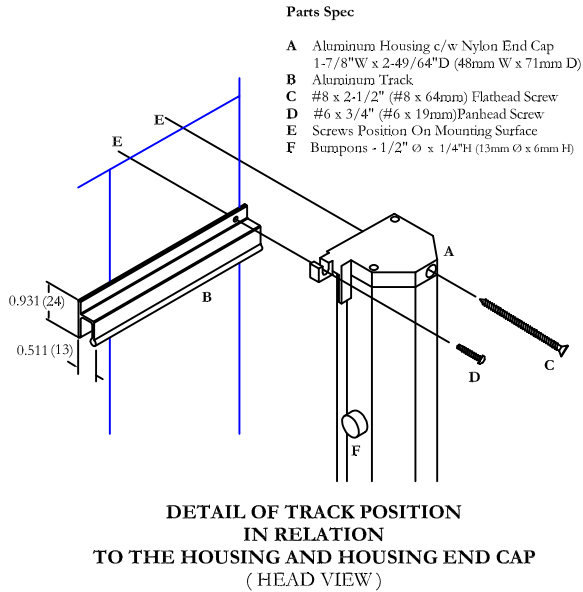
# Retractable Door Design Specifications

## c/w Magnet Latch System

### External Assembled View

For Illustration Purposes Only - Not Drawn to Scale

All Dimensions Are Shown In Inches and Millimeters In Brackets



Creator: NDR	Date: 01/24/12	Revision: Rev: 01
Drawing Title: PSPRODDDESIGNSPEC01		
1. Revised title name Description of Revision		Scale: NTS

02/26/18

© 2012 Phantom Mfg. Intl Ltd.