

Door Design Specifications

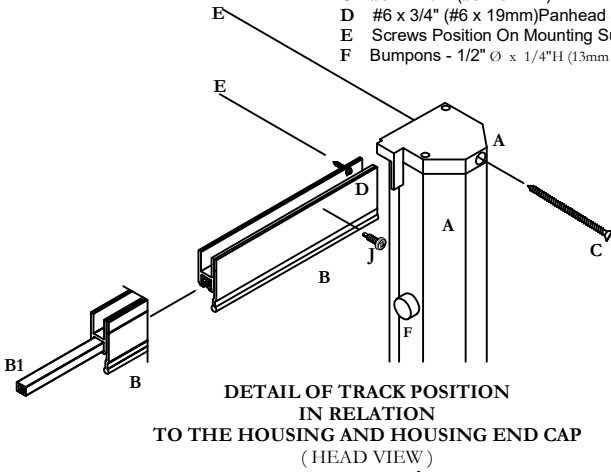
Mesh Lock Option - External Assembled View

For Illustration Purposes Only - Not Drawn to Scale

All Dimensions Are Shown In Inches and Millimeters In Brackets

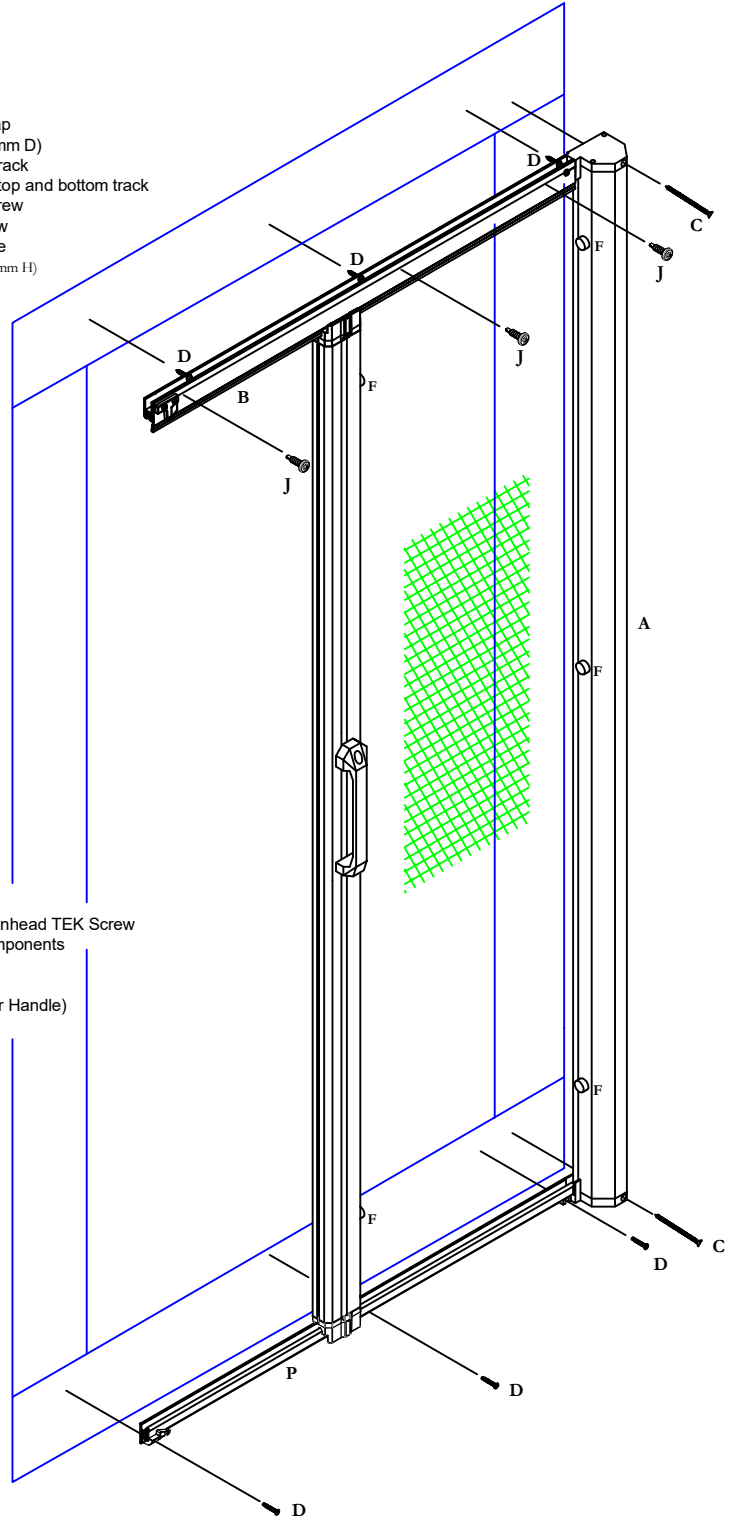
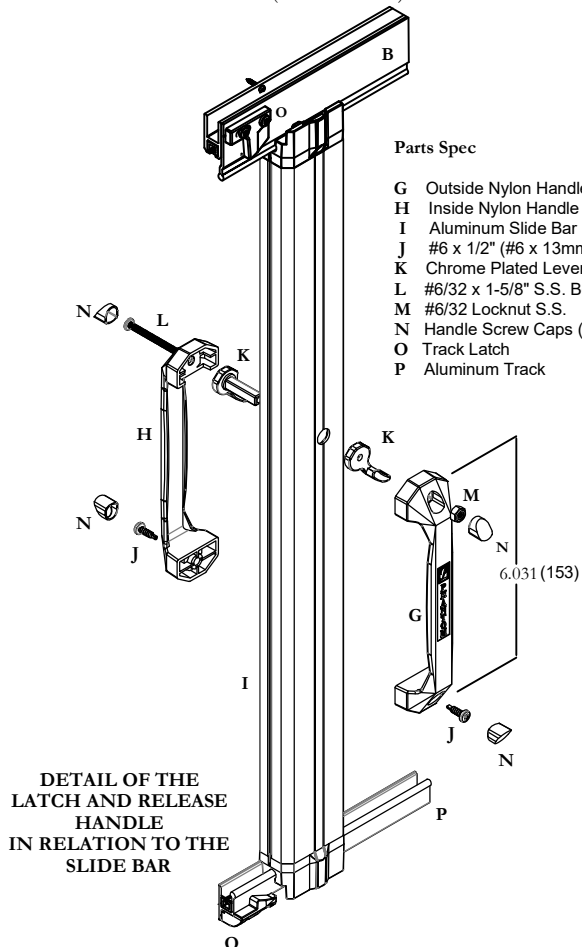
Parts Spec

- A Aluminum Housing c/w Nylon End Cap
1-7/8"W x 2-49/64"D (48mm W x 71mm D)
- B Aluminum Top Mesh and Slide Bar Track
- B1 Inner Guide / Zipper Track. Located top and bottom track
- C #8 x 2-1/2" (#8 x 64mm) Flathead Screw
- D #6 x 3/4" (#6 x 19mm) Panhead Screw
- E Screws Position On Mounting Surface
- F Bumpons - 1/2" Ø x 1/4"H (13mm Ø x 6mm H)



Parts Spec

- G Outside Nylon Handle
- H Inside Nylon Handle
- I Aluminum Slide Bar
- J #6 x 1/2" (#6 x 13mm) Panhead TEK Screw
- K Chrome Plated Lever Components
- L #6/32 x 1-5/8" S.S. Bolt
- M #6/32 Locknut S.S.
- N Handle Screw Caps (2 Per Handle)
- O Track Latch
- P Aluminum Track



PROPRIETARY AND CONFIDENTIAL
THE INFORMATION CONTAINED IN THIS DRAWING IS THE SOLE
PROPERTY OF PHANTOM SCREENS. REPRODUCTION IN PART
OR AS A WHOLE WITHOUT THE WRITTEN PERMISSION OF
PHANTOM SCREENS IS PROHIBITED.



REVISIONS

DRAWN BY	N.D.R.	09/16/2019
CHECK BY		
ENG. APPR.		
MFG. APPR.		
Q.A.		

DRAWING TITLE
**RETRACTABLE DOOR WITH MESH LOCK OPTION -
EXTERNAL ASSEMBLED VIEW**

DRAWING NO.
PSRETRACTDOORWITHMESHLOCKOPTION01

SCALE:
NOT DRAWN TO SCALE