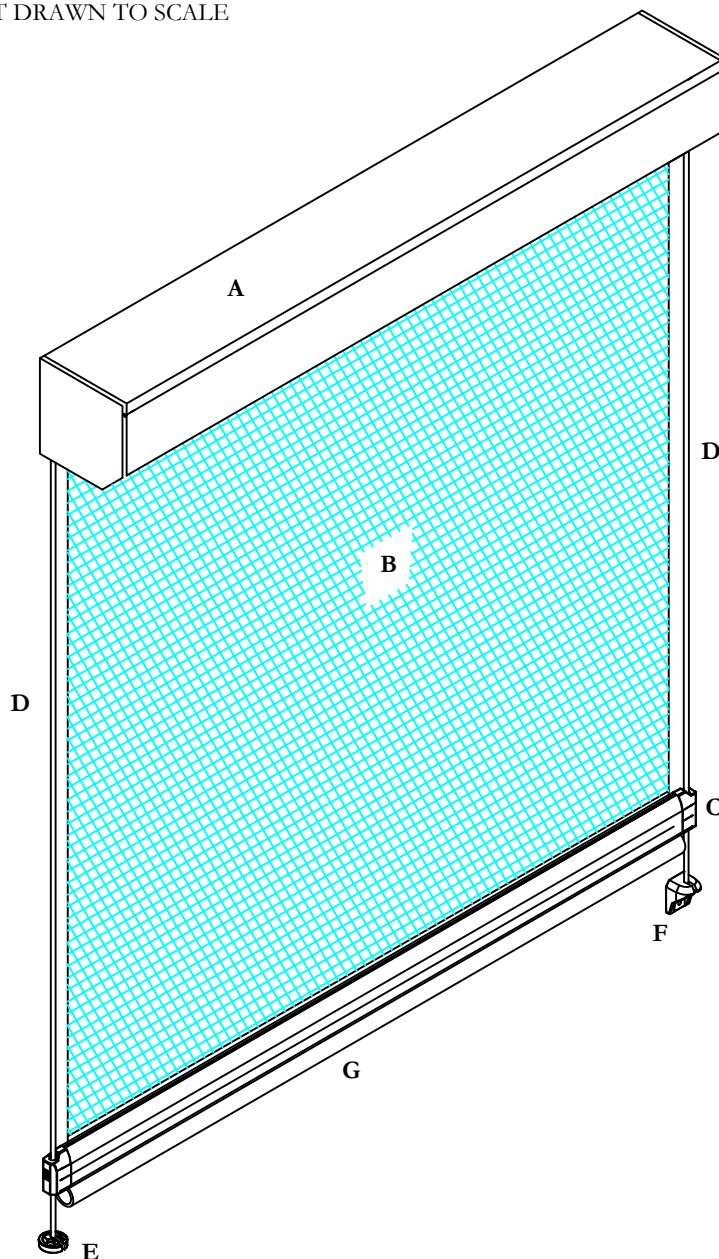


MOTORIZED SCREEN - CABLE GUIDED DESIGN SPECIFICATION (Assembled View)

FOR ILLUSTRATION PURPOSES - NOT DRAWN TO SCALE



Parts Spec

- A Housing Assembly:
(5-1/2"W x 5-1/2"H or 7-1/8"W x 7-1/8"H)
- B PVC Coated Fiberglass Mesh
or other - see Mesh Specifications
- C Slide Bar Assembly
- D Cable
- E Floor Mounted Anchor
- F Wall Mounted Anchor
- G Bottom Seal 4" Shown Other Options Available

REVISION					
DRAWING TITLE	MOTORIZED SCREEN - CABLE GUIDED DESIGN SPECIFICATION ASSEMBLED VIEW				
SHEET SIZE	DRAWING NO. PSMOTORIZEDCABLEGUIDED ASSEMBLEDVIEW 01				
WEIGHT:	N/A	DATE	03/12/2019	SCALE:	N.T.S.

PROPRIETARY AND CONFIDENTIAL
THE INFORMATION CONTAINED IN THIS DRAWING IS THE SOLE
PROPERTY OF PHANTOM SCREENS. REPRODUCTION IN PART
OR AS A WHOLE WITHOUT THE WRITTEN PERMISSION OF
PHANTOM SCREENS IS PROHIBITED.



UNLESS OTHERWISE SPECIFIED
DIMENSIONS: IN INCHES
ACCURACY: 0.000 INCHES

STANDARD TOLERANCES APPLY
UNLESS OTHERWISE SPECIFIED
INTERPRET GEOMETRIC
TOLERANCING PER ASME Y14.E

MATERIAL
N/A

DRAWN BY	N.D.R.	03/12/2019
CHECK BY		
ENG. APPR.		
MFG. APPR.		
Q.A.	N/A	