

Retractable Window Design Specifications

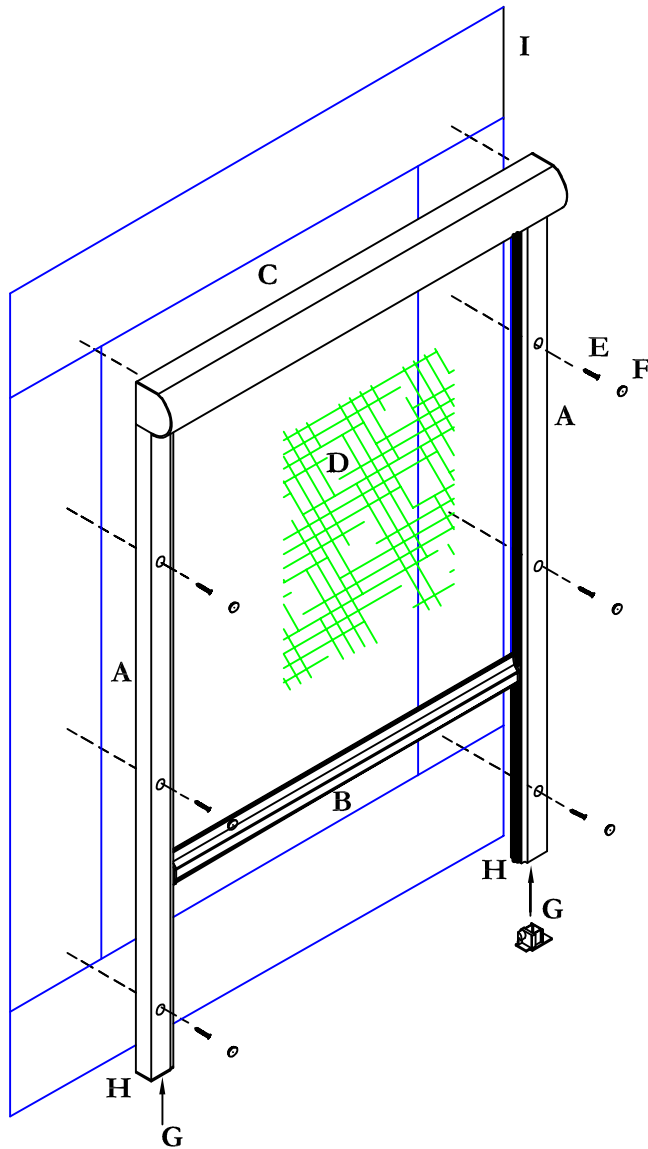
Standard Application

External Assembled View

For Illustration Purposes Only - Not Drawn to Scale

All Dimensions Are Shown In Inches and Millimeters In Brackets

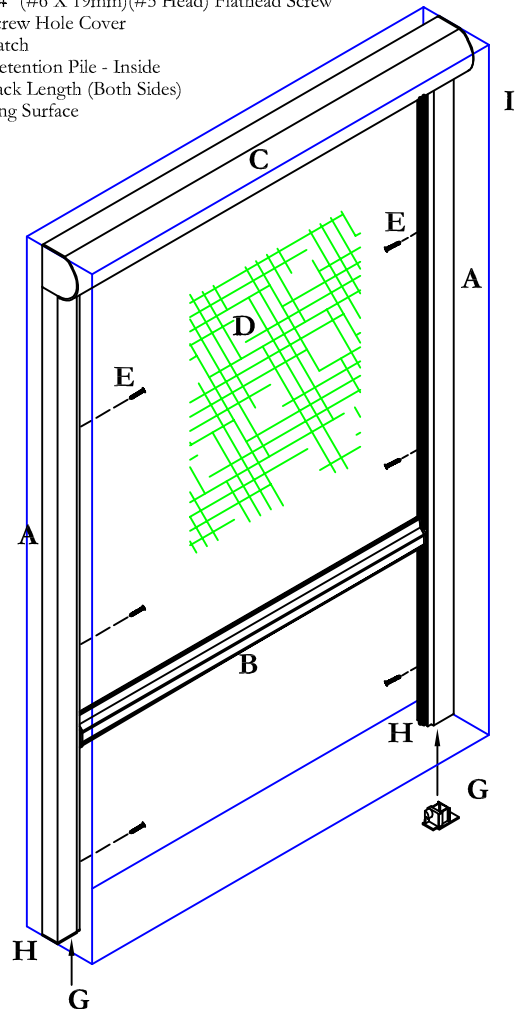
All components are color matched except the Mesh.



SURFACE MOUNT APPLICATION

Parts Spec

- A** Aluminum Track
Standard Version - 57/64"W x 1-3/8"H (23mm W x 35mm H)
Short Version - 57/64"W x 29/32"H (23mm W x 23mm H)
- B** Aluminum Slide Bar
23/32"W x 1-13/32"H (18mmW x 36mm H)
- C** Aluminum Housing Assembly
2-19/64"W x 2-7/64"H (58mm W x 53mm H)
- D** PVC Coated Fiberglass Mesh
- E** #6 x 3/4" (#6 X 19mm)(#5 Head) Flathead Screw
- F** Track Screw Hole Cover
- G** Track Latch
- H** Mesh Retention Pile - Inside
Full Track Length (Both Sides)
- I** Mounting Surface



INSIDE JAMB MOUNT APPLICATION

1. Title change		Dated: 02/27/18
Description of Revision		
Creator:	Date:	Revision:
NDR	07/07/11	Rev: 01
Drawing Title:		
PSSERPRODDDESIGNSPEC01		
© 2010 Phantom Mfg. Intl Ltd.		Scale: NTS