

# Motorized Retractable Wall Screen

## Design Specifications-

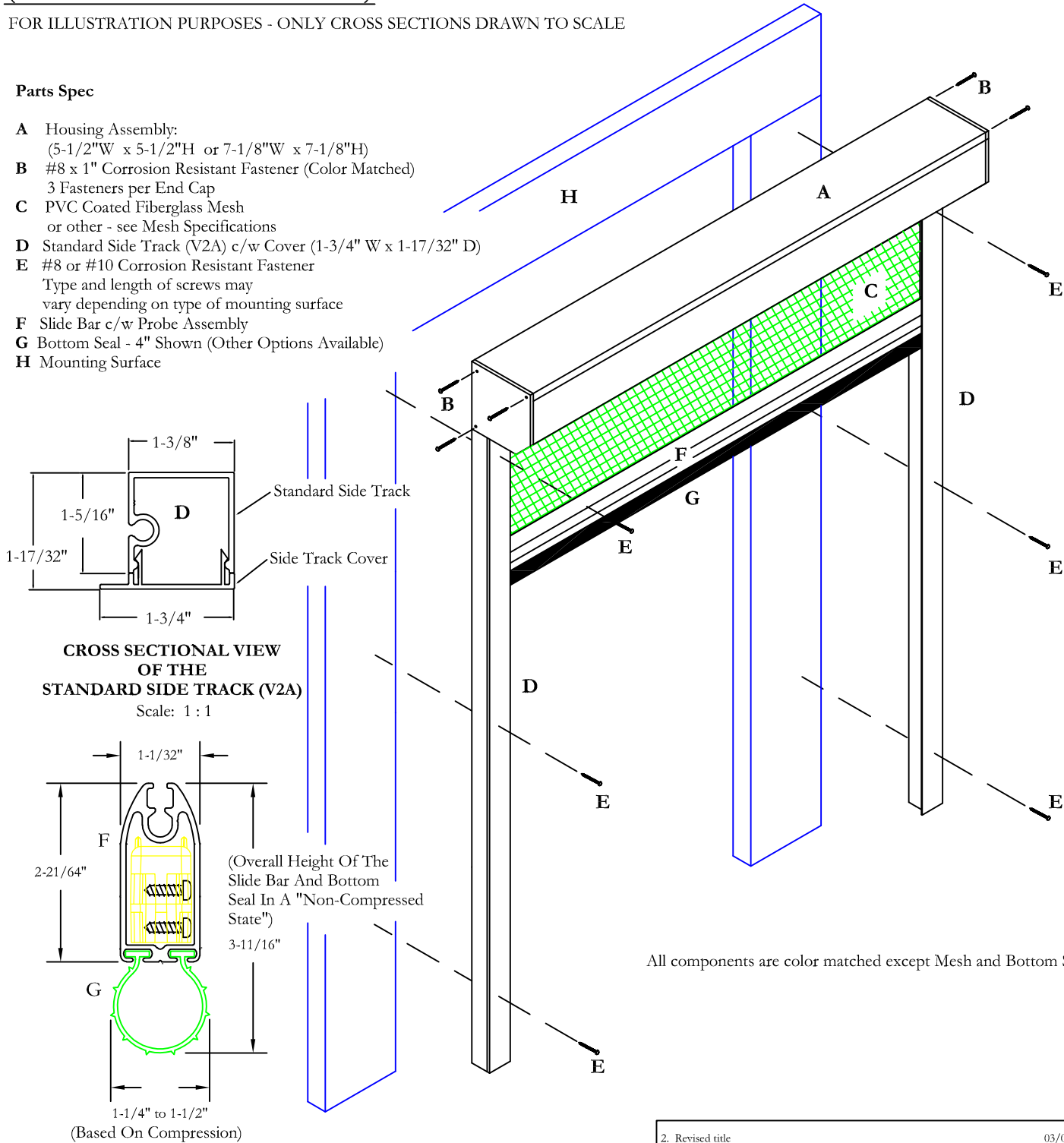
### System With Standard Side Track (V2A)

(External Assembled View)

FOR ILLUSTRATION PURPOSES - ONLY CROSS SECTIONS DRAWN TO SCALE

#### Parts Spec

- A Housing Assembly:  
(5-1/2"W x 5-1/2"H or 7-1/8"W x 7-1/8"H)
- B #8 x 1" Corrosion Resistant Fastener (Color Matched)  
3 Fasteners per End Cap
- C PVC Coated Fiberglass Mesh  
or other - see Mesh Specifications
- D Standard Side Track (V2A) c/w Cover (1-3/4" W x 1-17/32" D)
- E #8 or #10 Corrosion Resistant Fastener  
Type and length of screws may vary depending on type of mounting surface
- F Slide Bar c/w Probe Assembly
- G Bottom Seal - 4" Shown (Other Options Available)
- H Mounting Surface



All components are color matched except Mesh and Bottom Seal.

#### CROSS SECTIONAL VIEW OF THE SLIDE BAR AND 4" BOTTOM SEAL

Scale: 1 : 1

#### Note(s):

Effective June 01/2009 all SIMU Type 5 Motors are being replaced with the SOMFY LT50 Motors.

2. Revised title	03/01/18
1. Change Slide Bar and Probe to Universal Version	09/13/18
Description of Revision	
Creator:	Date:
NDR	05/13/2013
Revision:	Rev: 02
Drawing Title:	
PSEXECPRODDESIGNSPEC06(A)	
© 2013 Phantom Mfg. Intl Ltd.	Scale:
	As Shown