

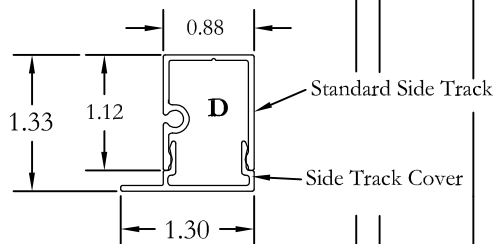
Small Executive Design Specifications - System With Standard Side Track

(External Assembled View)

FOR ILLUSTRATION PURPOSES - ONLY CROSS SECTIONS DRAWN TO SCALE

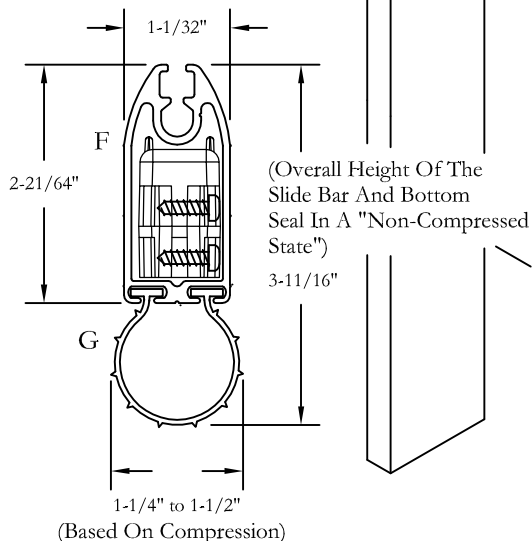
Parts Spec

- A Housing Assembly: (4"W x 4"H)
- B #8 x 1" Corrosion Resistant Fastener (Color Matched)
3 Fasteners per End Cap
- C PVC Coated Fiberglass Mesh
or other - see Mesh Specifications
- D Standard Side Track c/w Cover (0.88" W x 1.12" D)
- E #8 or #10 Corrosion Resistant Fastener
Type and length of screws may
vary depending on type of mounting surface
- F Slide Bar c/w Probe Assembly
- G Bottom Seal: availability
Brush Pile - 3/4" (Black Only)
3"/4" and 6" Vinyl (Black and Grey)
- H Mounting Surface



**CROSS SECTIONAL VIEW
OF THE SMALL EXECUTIVE
STANDARD SIDE TRACK**

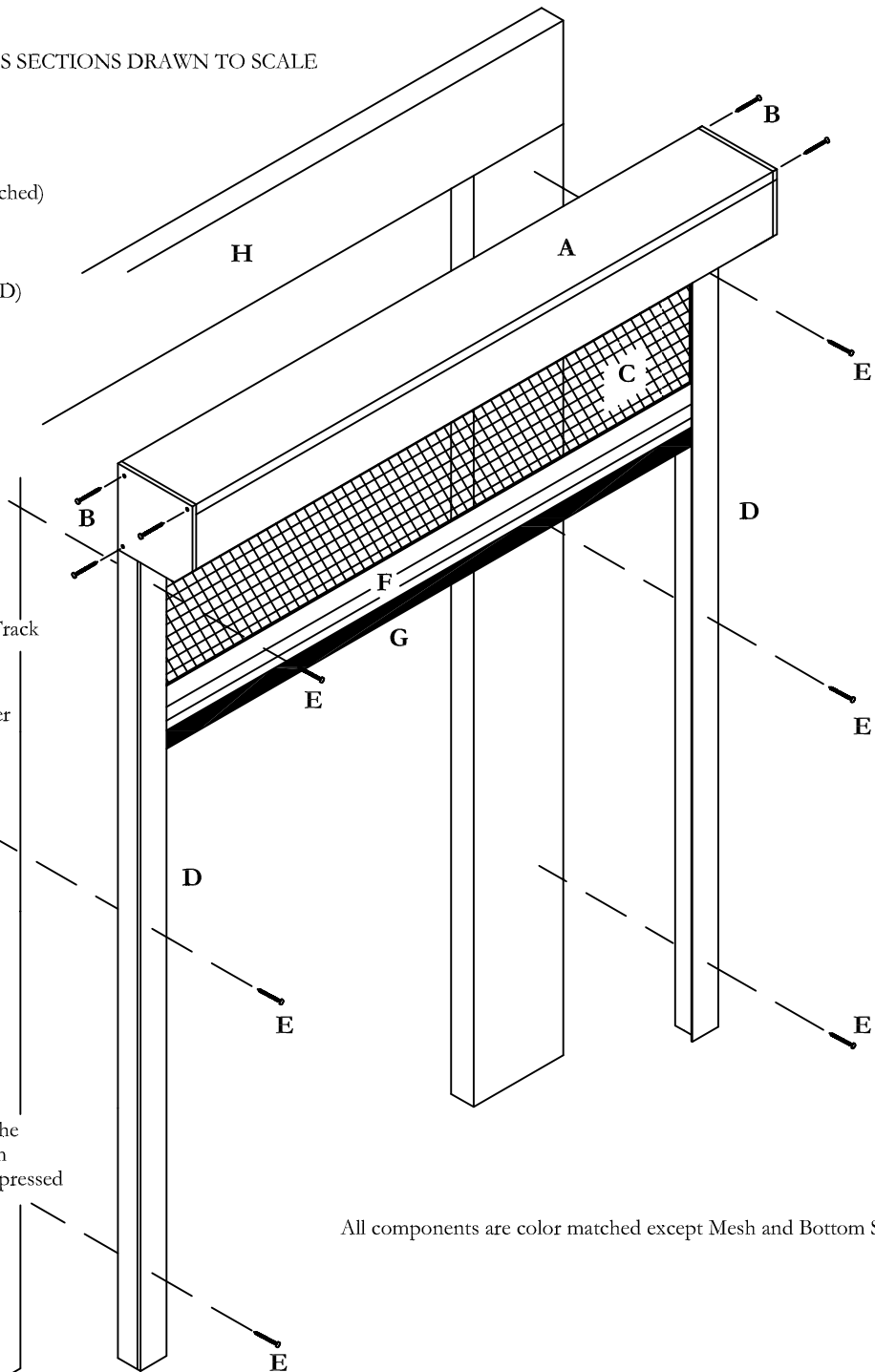
Scale: 1 : 1



**CROSS SECTIONAL VIEW
OF THE SLIDE BAR AND
OPTIONAL 4" BOTTOM SEAL**

Scale: 1 : 1

Note:
For Bottom Seal options see Parts Spec Item G.



All components are color matched except Mesh and Bottom Seal.

Discription of Revisions: 1. Change Slide Bar and Probe to Universal Version.		
Creator: NDR	Date: 09/05/2013	Revision: Rev: 01
Drawing Title: PSEXECPRODDSIGNSPEC09(A)		
© 2013 Phantom Mfg. Intl Ltd.		Scale: As Shown