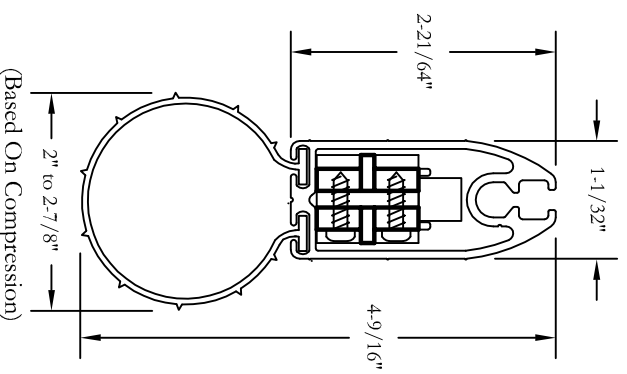
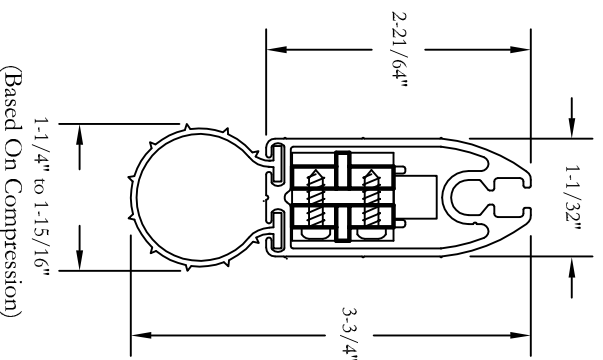
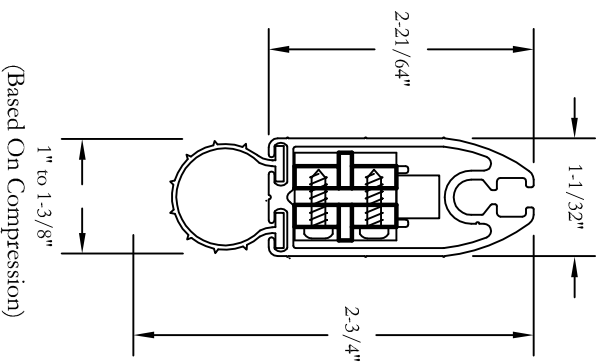
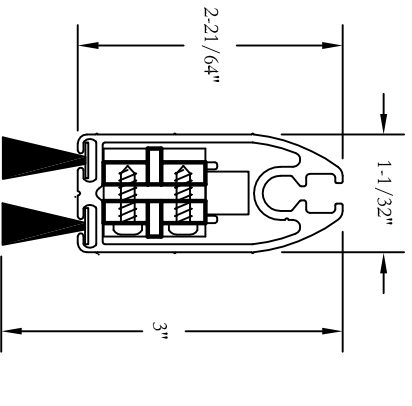


# BOTTOM SEALS OPTIONS for the UNIVERSAL EXECUTIVE SLIDE BAR

FOR ILLUSTRATION PURPOSES ONLY \*NOT DRAWN TO SCALE  
ALL DIMENSIONS ARE SHOWN IN INCHES



- NOTE(S):
1. ALL BOTTOM SEALS ARE AVAILABLE IN A GREY COLOR ONLY.
  2. ALL VINYL MEASUREMENTS ARE APPROXIMATE IN AN UNCOMPRESSED STATE.
  3. BOTTOM SEAL IS SECURED INTO THE SLIDE BAR BY CRUSHING THE BOTTOM BEAD PORT INWARDS SECURING THE BEAD IN PLACE.

Creator:	Date:	Revision:	
N.D.R.	05/17/2013	Rev:	
Drawing Title:			
<b>PSEXECVARIOUSBOTTOMSEALS06</b>			
Scale:			
© 2013 Phantom Mfg. Intl Ltd.			1:1