

Phantom Distinction Screen Specification

Double Layout

(External Assembled View)

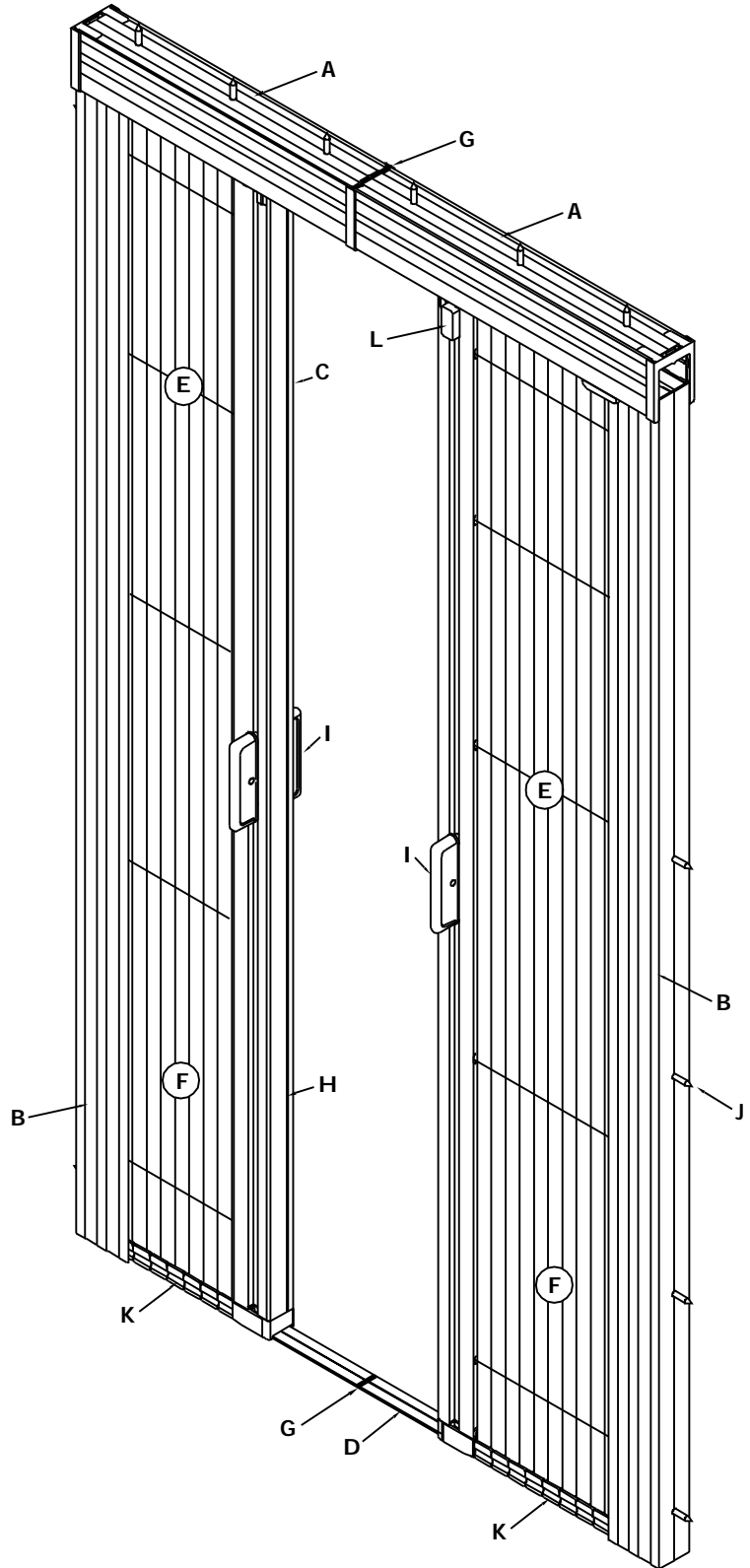
For Illustration Purposes Only - Not Drawn to Scale

Parts Spec: Note

Imperial Dimensions rounded to nearest 1/8"

Metric Dimensions rounded to nearest whole number

- A** Top Rail c/w End Caps
(1-7/8"w x 2-3/8"h)(45mm x 60mm)
- B** Screen Housing
(1-1/4" w 2-3/8"h) (36mm x 60mm)
- C** Sliding Bar
(1-1/8"w x 1-5/8"h)(30mm x 43mm)
- D** Bottom Rail
(7/8" w x 1/8" h)(22mm x 3mm)
- E** Tension Wire
- F** Mesh 1818 - Polyester Pleated
Black Only
- G** Center Link / DDK Components
- H** Strip Magnet
- I** Handle
- J** Fasteners (determined by install)
- K** Retracting Mesh Guide
- L** Anti - Lift Stop



Creator: N.D.R.	Date: 01/11/ 19	Revision:
Drawing Title: PSDISTINCTIONV2DOUBLEDESIGNSPEC.01		
© 2011 Phantom Mfg. Intl Ltd.		Scale: As Shown