

# Retractable Door Design Specifications

## c/w Latching Handle

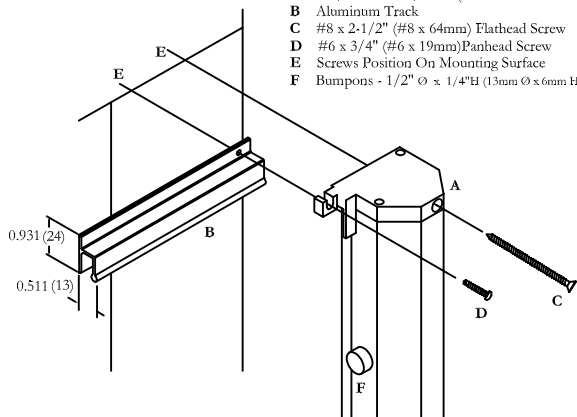
### External Assembled View

For Illustration Purposes Only - Not Drawn to Scale

All Dimensions Are Shown In Inches and Millimeters In Brackets

#### Parts Spec

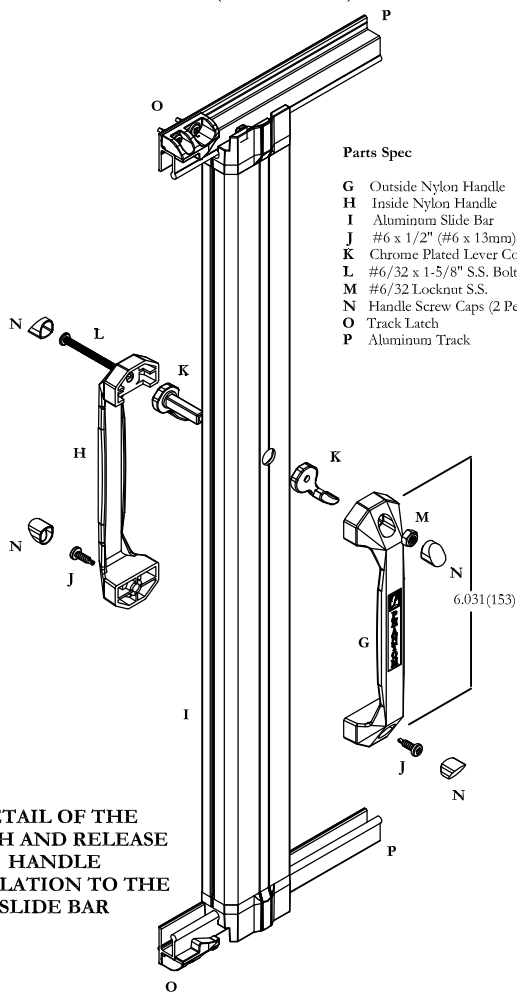
- A Aluminum Housing c/w Nylon End Cap  
1-7/8"W x 2-49/64"D (48mm W x 71mm D)
- B Aluminum Track
- C #8 x 2-1/2" (#8 x 64mm) Flathead Screw
- D #6 x 3/4" (#6 x 19mm) Panhead Screw
- E Screws Position On Mounting Surface
- F Bumpons - 1/2"  $\phi$  x 1/4"H (13mm  $\phi$  x 6mm H)



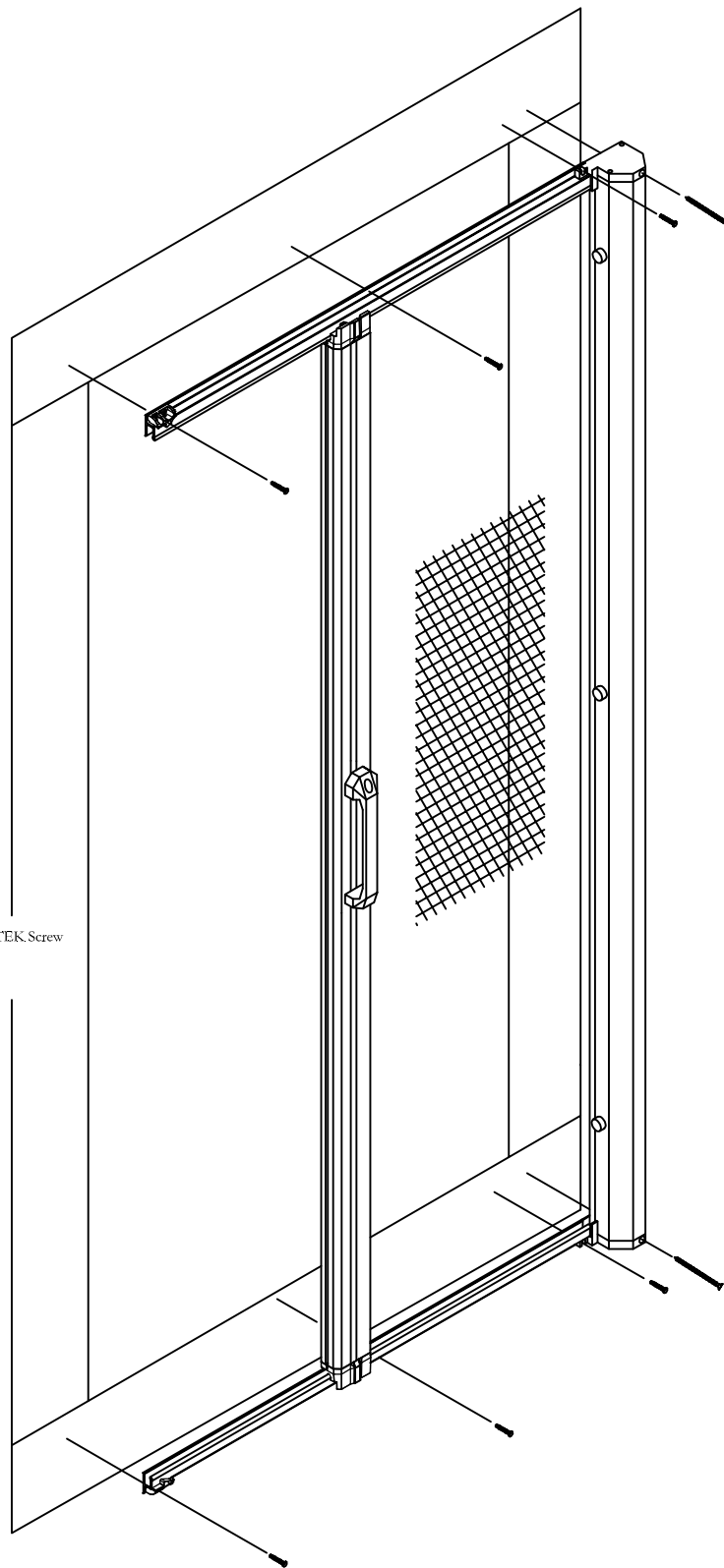
DETAIL OF TRACK POSITION  
IN RELATION  
TO THE HOUSING AND HOUSING END CAP  
(HEAD VIEW)

#### Parts Spec

- G Outside Nylon Handle
- H Inside Nylon Handle
- I Aluminum Slide Bar
- J #6 x 1/2" (#6 x 13mm) Panhead TEK Screw
- K Chrome Plated Lever Components
- L #6/32 x 1-5/8" S.S. Bolt
- M #6/32 Locknut S.S.
- N Handle Screw Caps (2 Per Handle)
- O Track Latch
- P Aluminum Track



DETAIL OF THE  
LATCH AND RELEASE  
HANDLE  
IN RELATION TO THE  
SLIDE BAR



Creator: NDR	Date: 03/08/16	Revision: Rev: 02
Drawing Title: PSLEGACYPRODDDESIGNSPEC01		
© 2016 Phantom Mfg. Intl Ltd.		Scale: NTS

2. Revised Title	02/27/18
1. Revised Lever Materials	03/08/16
Description of Revision	