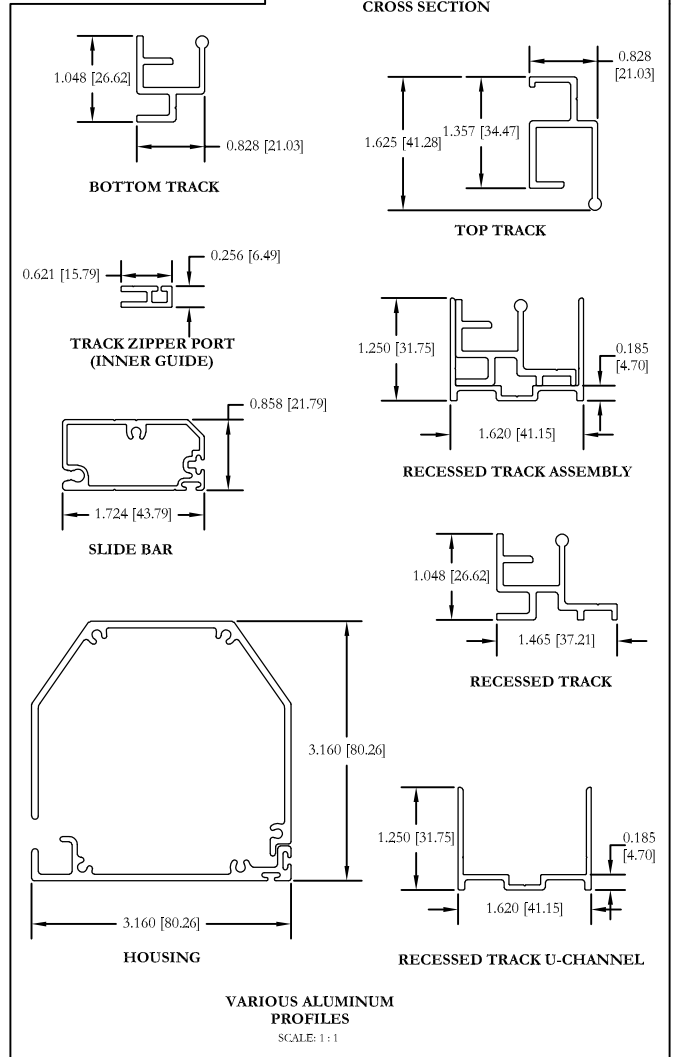
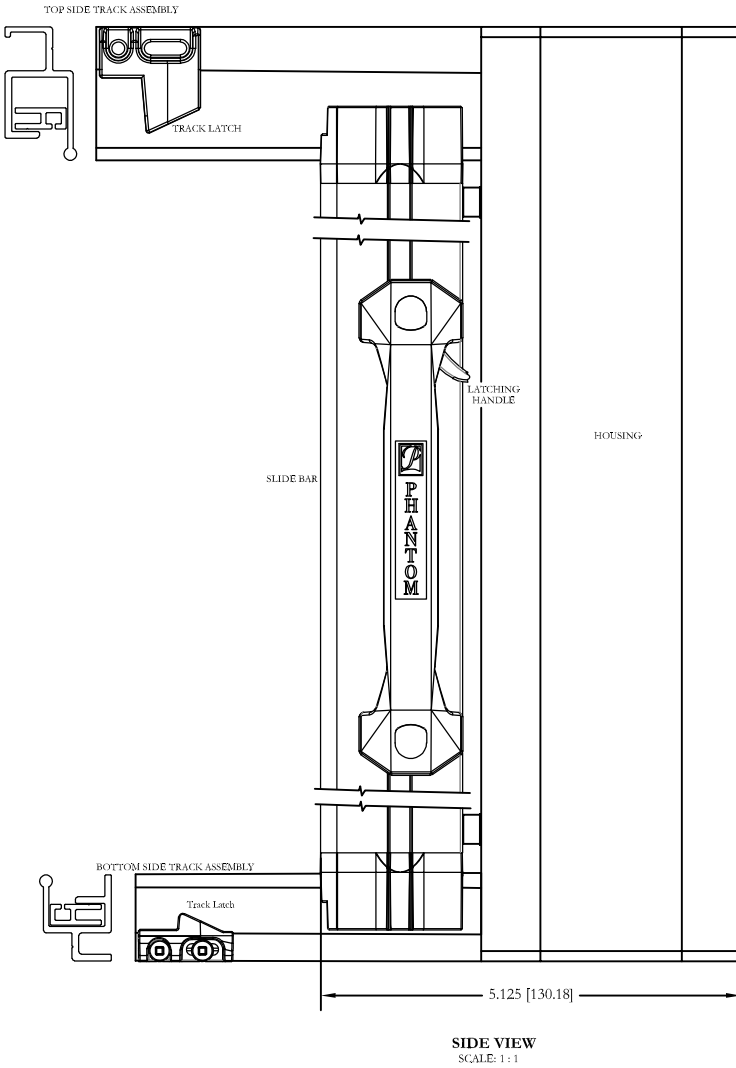
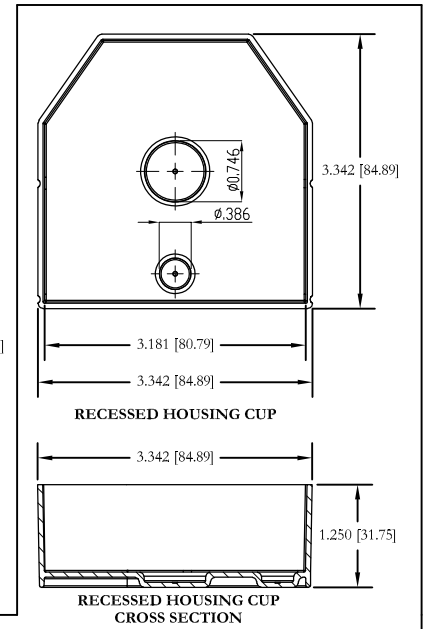
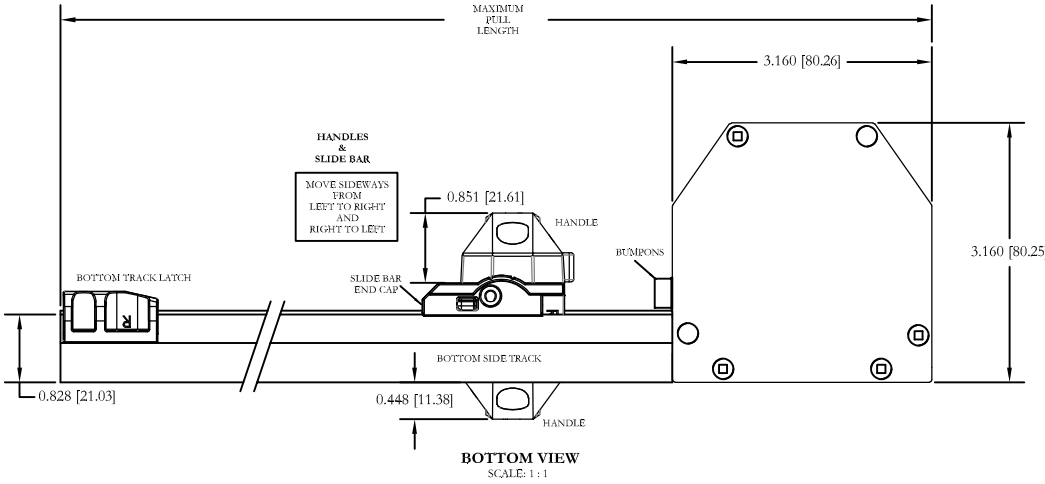


MANUAL WALL SCREEN

Detail Views

ALL DIMENSIONS ARE SHOWN IN INCHES WITH MILLIMETERS IN BRACKETS



- NOTE(S):
1. DRAWINGS SUBJECT TO CHANGE
 2. PDF DRAWINGS ARE NON-SCALABLE ON A SHEET THIS SIZE
 3. FOR TO SCALE AUTOCAD DRAWINGS REFER TO WEB SITE

Rev #	Description of Revision	Appr. by	Rev Date
Rev 1	Addition of Zipper Port to parts list	N.D.R.	01/22/2018

Creator: NDR	Date: 05/29/17	Revision: Rev: 01
Drawing Title: PSMANUALWALLSCREEN-02		
© 2017 Phantom Mfg. Intl Ltd.		Scale: As Shown