

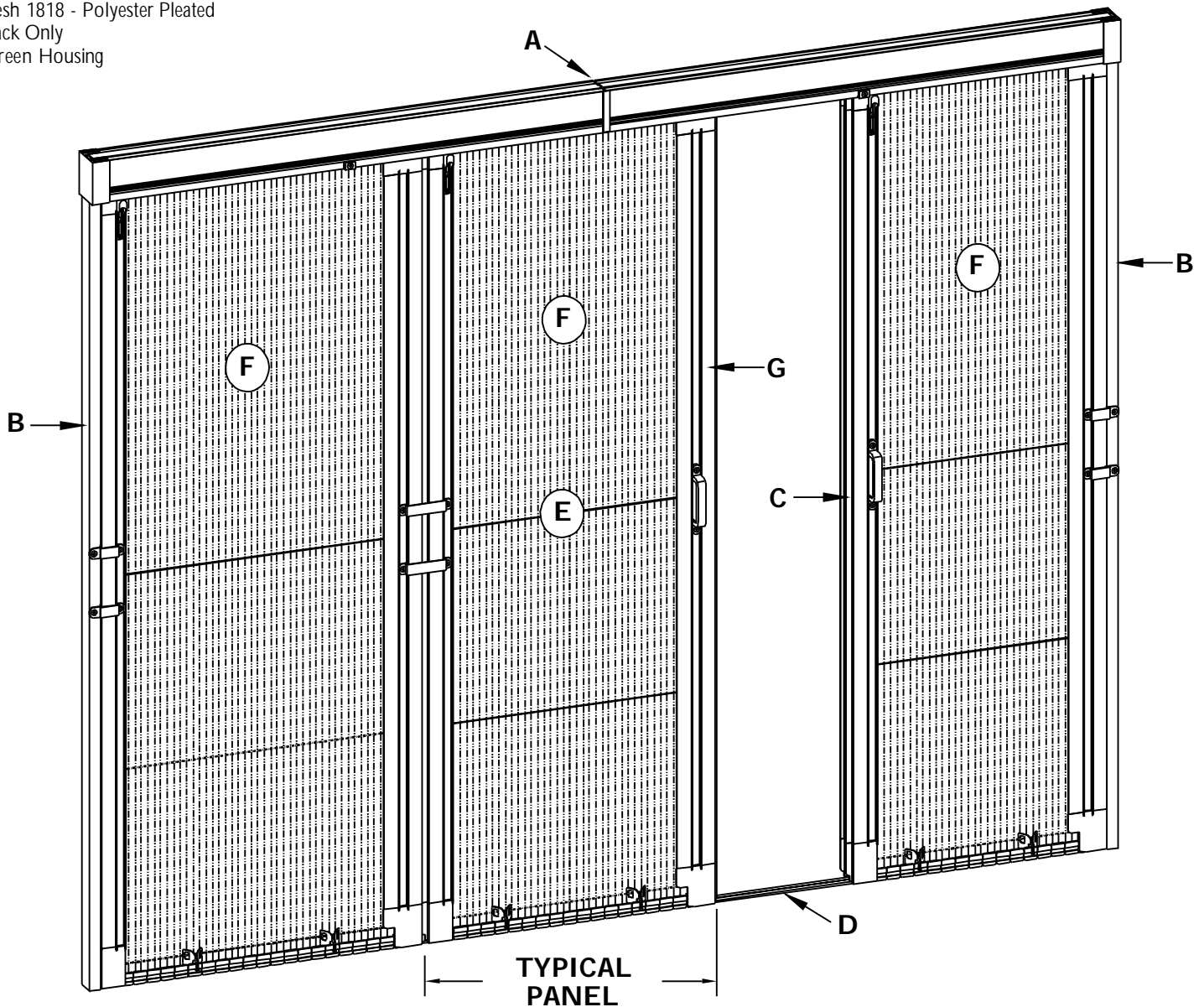
Phantom Infinity Screen Specifications

(External Assembled View)

For Illustration Purposes Only - Not Drawn To Scale

Parts Spec: (All dimensions have been rounded to the nearest 1/8")

- A** Top Rail c/w End Caps and Connector
(Connector provided only on widths greater than 98")
(1-3/4" W x 2-3/8" H)
- B** Catch Frame
(1-1/8" W x 5/8" H)
- C** Sliding Bar
(1-1/4" W x 2-1/2" H)
- D** Bottom Rail c/w Connector
(Connector provided only on widths greater than 98")
(3/4" W x 1/8" H)
- E** Tension Wire
- F** Mesh 1818 - Polyester Pleated
Black Only
- G** Screen Housing



Designed and Manufactured by Seiki Screen Systems™

© 2009 Phantom Mfg (Int'l) Ltd. Proprietary Material

Drawing #: PINFINITY01(A)

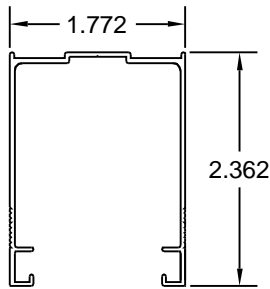
Jan 13/09 (By N.D.R.)

Phantom Infinity Screen Specifications

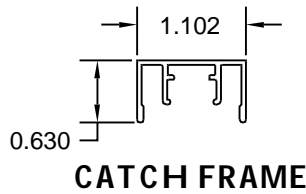
Parts Details

(External Assembled View)

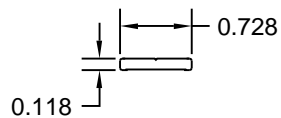
Dimensions are shown in Inches. Scale 1 : 1
Conversion factor: 1" = 25.4mm



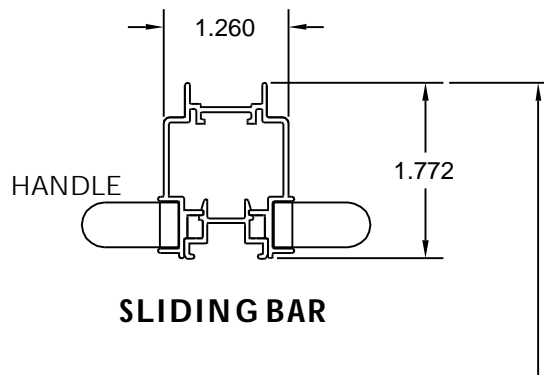
TOP RAIL



CATCH FRAME

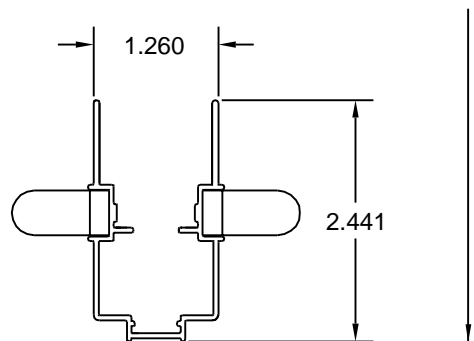


BOTTOM RAIL



SLIDING BAR

THE DISTANCE SHOWN BETWEEN SLIDING BAR AND SCREEN HOUSING IS CONSIDERED A PANEL



SCREEN HOUSING

Designed and Manufactured by Seiki Screen Systems™

© 2009 Phantom Mfg (Int'l) Ltd. Proprietary Material
Drawing #: PINFINITY01(A)
Feb 17/09 (By N.D.R.)