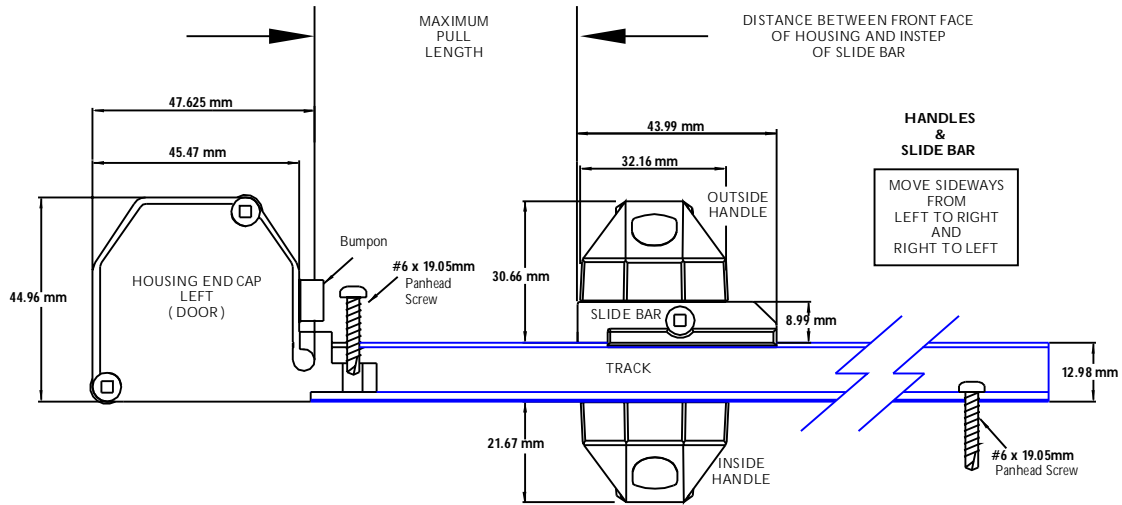
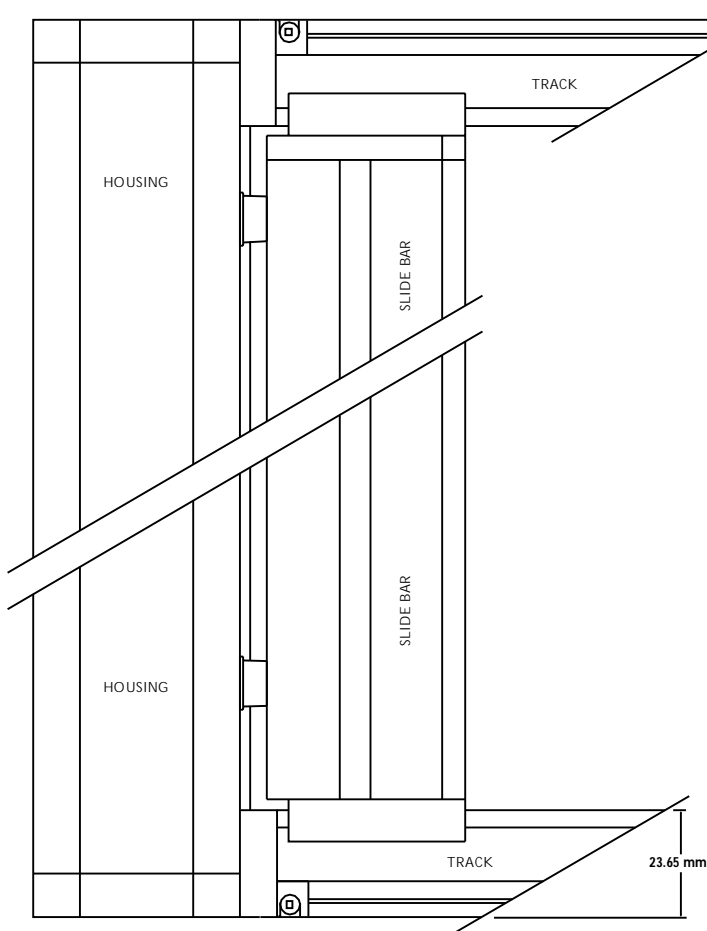


# Phantom Door Design Specifications

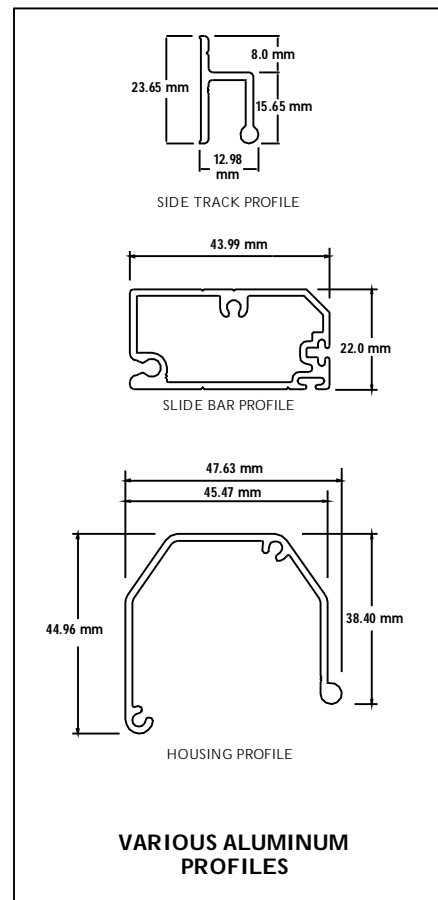
## Detail Views



**BOTTOM VIEW**



**FRONT VIEW**



All dimensions are in millimeters

Creator: NDR	Date: 02/21/2006	Revision: Rev:
Drawing Title: <b>PSPHANPRODESIGNSPEC02</b>		
© 2010 Phantom Mfg. Intl Ltd.		Scale: 1 : 1