

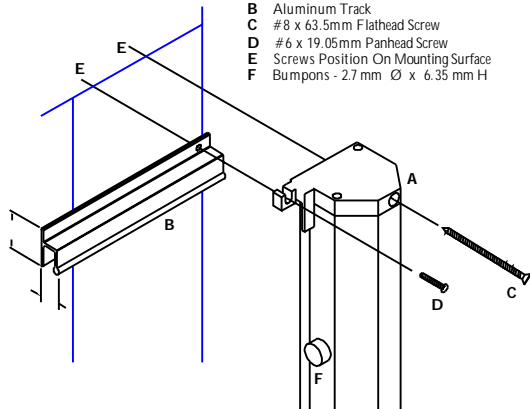
Phantom Door Design Specifications

External Assembled View

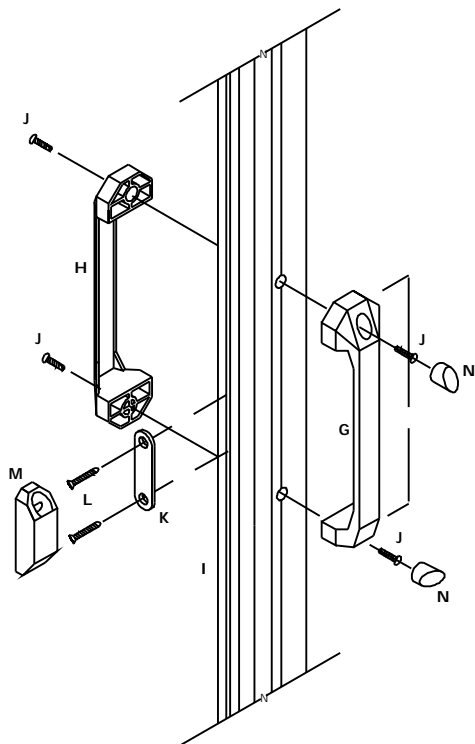
For Illustration Purposes Only - Not Drawn to Scale

Parts Spec

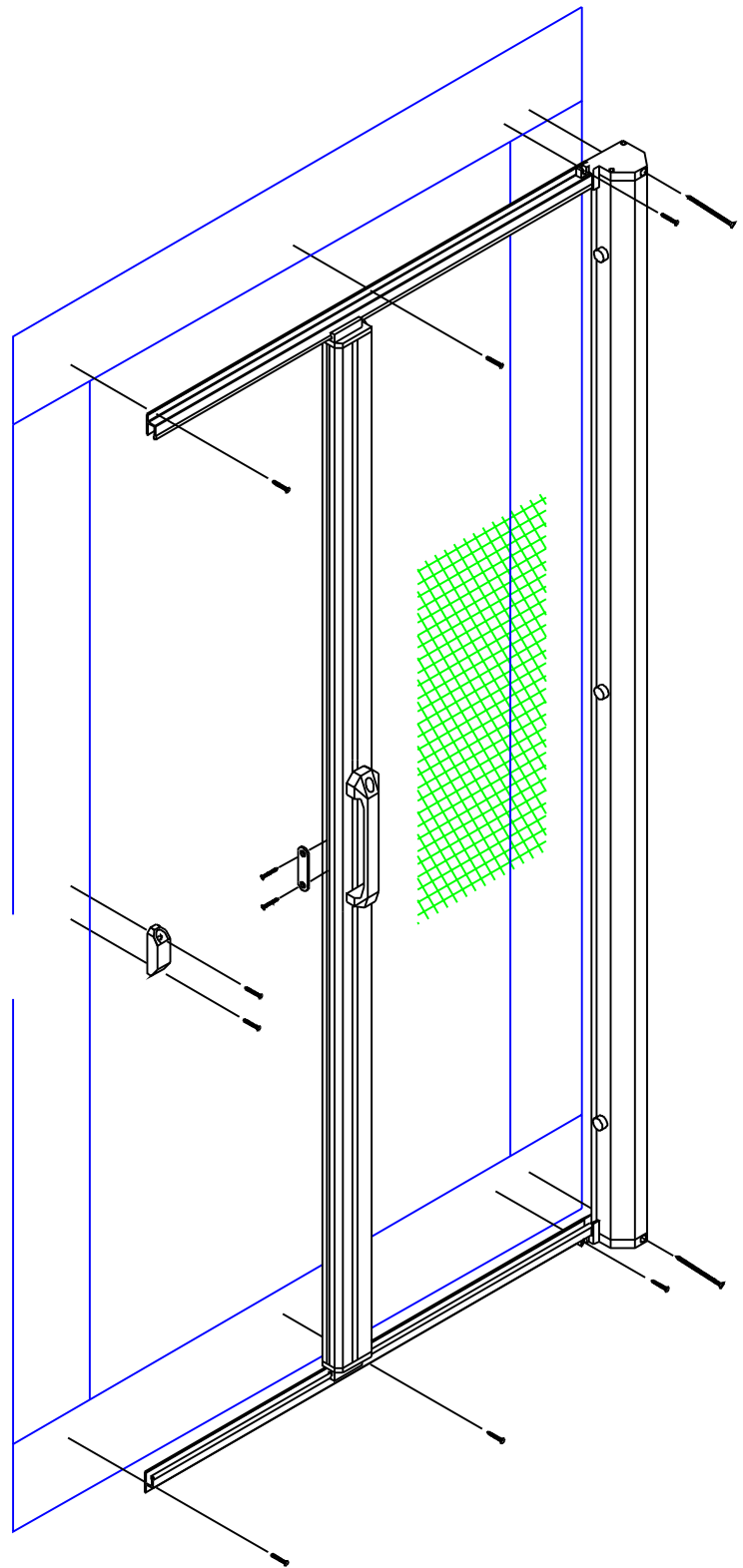
- A Aluminum Housing c/w Nylon End Cap
47.63 mm W x 70.64 mm D
- B Aluminum Track
- C #8 x 63.5mm Flathead Screw
- D #6 x 19.05mm Panhead Screw
- E Screws Position On Mounting Surface
- F Bumpons - 2.7 mm \varnothing x 6.35 mm H



**DETAIL OF TRACK POSITION
IN RELATION
TO THE HOUSING AND HOUSING END CAP
(HEAD VIEW)**



**DETAIL OF HANDLE AND
STRIKE PLATE POSITION
IN RELATION
TO THE SLIDE BAR**



| | | |
|---|---------------------|-------------------|
| Creator: NDR | Date: 12/06/2007 | Revision: Rev: |
| Drawing Title: PSPHANPRODDDESIGNSPEC01 | | |
| © 2010 Phantom Mfg. Intl Ltd. | | Scale: NTS |